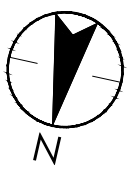
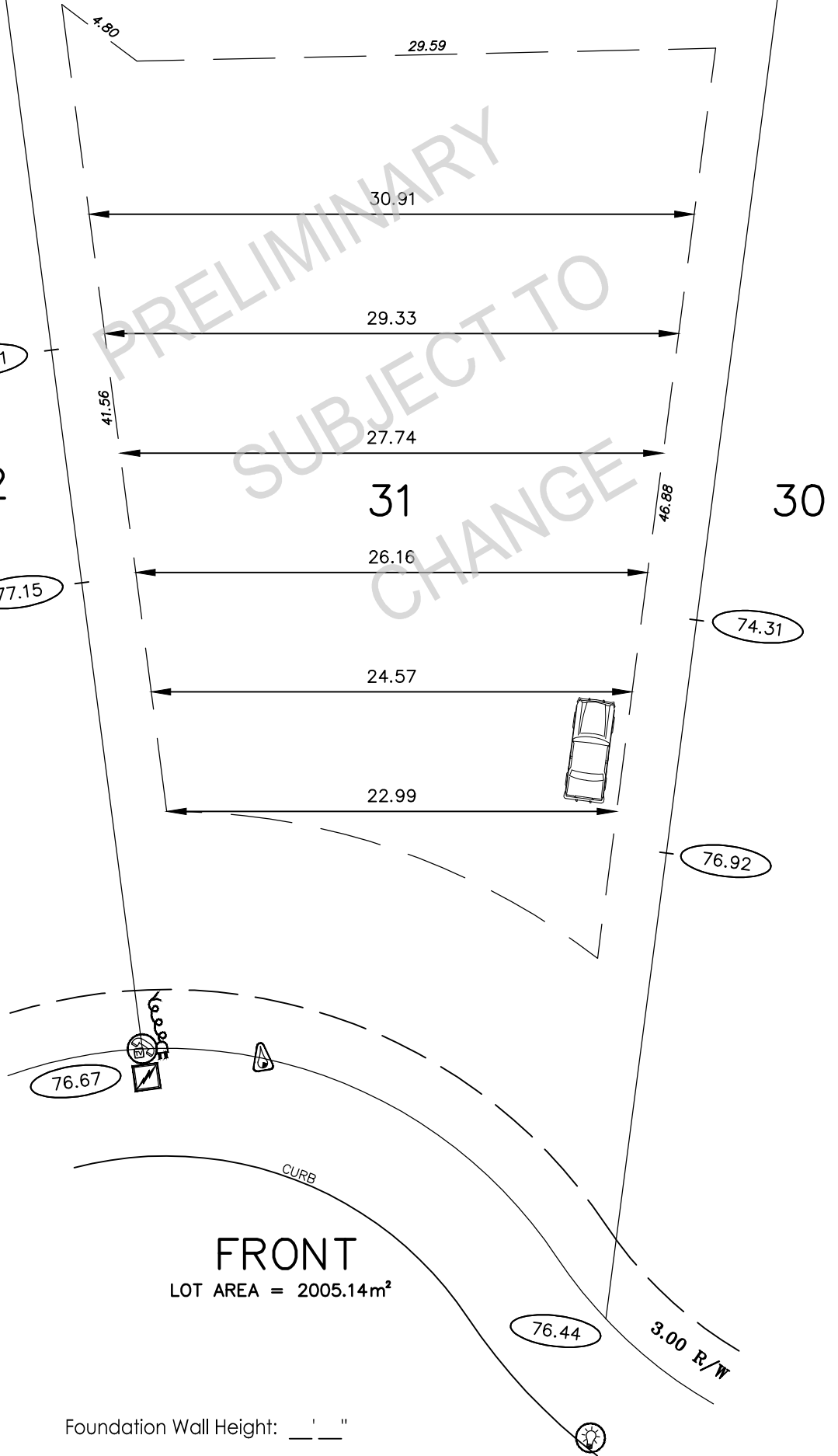


PINNACLE SUMMIT



WALKWAY

67 MR



PRELIMINARY
SUBJECT TO
CHANGE

WING WALLS & OR
RETAINING STRUCTURES
MAY BE REQUIRED FOR
DRAINAGE PURPOSES

THIS PLAN IS TO BE USED AS A
GUIDE ONLY. ALL MINIMUM SIDEYARD
DISTANCES MUST BE VERIFIED BY
STANTEC GEOMATICS.

DRAINAGE TYPE – STANDARD SPLIT
WALKOUT BASEMENT

- Garage Location
- Hydrant
- C.C. Location
- Power Service
- Street Light
- Service Pedestal
- Transformer
- Critical Swale Grades
- Direction Of Surface Drainage

House Type _____

Finished Floor _____

Bottom Footing _____

Finished Grade Front _____

Finished Grade Back _____

Bottom Back Door Sill _____

Bottom Bsm't Window _____

Top Conc. Bsm't Wall _____

Finished Garage Floor _____

Sanitary Sewer Invert 73.32

JOIST _____ CONC. WALL _____ FOOTING _____

SCALE 1 : 300

R2

*It is the responsibility of the builder to contact the soils consultant to determine if there are any special considerations pertaining to house foundation construction.
 *The elevation of this house has been designed so that it will be in conformance with the lot grading plan.
 *This plan is subject to the approval of the local approving authority and the agent responsible for the architectural control guidelines.
 *Stantec Geomatics will accept no responsibility for any costs incurred due to an error or omission on this plan if construction starts prior to the subject approvals.
 *All dimensions and services shown must be confirmed by contractor prior to excavation.
 *All distances shown are in metres and decimals thereof.
 *This Plot Plan is the property of Stantec Geomatics. It is forbidden to use this Plot Plan for survey layout of the building location and/or elevation without prior written consent from Stantec Geomatics.



Stantec Geomatics Ltd.
 10160-112th Street NW
 Edmonton, Alberta, Canada
 T5K 2L6
 Tel. 780-917-7000
 Fax. 780-917-7289
 www.stantec.com

Legal Description
LOT 31 BLOCK 1 PLAN UN-REG
PINNACLE RIDGE
 Municipal Address

STURGEON COUNTY
 Builder

 Title
Plot Plan
 Your File:
 CF 12/20/17